



川源(中国)机械有限公司
GSD (China) Co., Ltd.



SPC

污水切割排污泵

SPC submersible sewage pump with cutter impeller

SPC 污水切割排污泵

SPC submersible sewage pump with cutter impeller

用途

- 市政雨水排水系统
- 城市污水处理系统
- 城市建设基建工程
- 道路、桥梁、山洞基建排水
- 住宅小区地下排水项目
- 工厂、学校、医院排污系统
- 酒店、宾馆的化粪池清理或切割绞碎后排出
- 大型畜牧养殖厂

特点

- **电动机**
鼠笼式感应电动机，B级绝缘，防护等级IP68。
- **叶轮**
独特的后倾角，有效防止物料缠绕；
采用合金材质，硬度高，防腐蚀性高。
- **切割装置**
便拆式刀盘设计，根据不同使用环境可以更换不同形式刀盘；
独特的螺旋式结构及带锋利刀口设计，具有高效水力性能及切割性能。
- **机械密封**
机械密封的作用是阻绝抽送介质与电动机部分接触，双端面机械密封为电机提供高效保护。
- **自动着脱装置（选用配备）**
使泵浦安装、保养、修护迅速容易，毋须先清除桶槽污水。
- **测漏检知器**
在油室内加装测漏检知器，可检测因密封不良或机械密封损坏造成之泄露(视型号选配)。
- **过热保护器**
在电机中加装过热保护器，对过载、温升等状况自动进行检测，避免由于电动机过热造成电机烧毁(视型号选配)。

Application

- Municipal rain water drainage system
- Municipal sewage treatment system
- Urban Construction and infrastructure projects
- Roads, bridges, cave infrastructure drainage
- Underground drainage project of residential quarter
- Factories, schools, hospitals, sewage systems
- Hotel septic tanks cleaning or sewage discharge after cutting and smashing
- Large-scale animal husbandry and breeding factory

Features

- **Motor**
Squirrel cage induction motor, B class insulation, motor protection grade IP68.
- **Impeller**
Unique backward angle to prevent material from winding, Alloy material of high hardness and high anti-corrosion.
- **Cutting device**
Easy disassembly cutter design, subject to different working conditions, different types of cutterhead can be used.
Unique spiral structure and sharp cutting edge design, highly efficient hydraulic performance and cutting performance.
- **Mechanical seal**
The mechanical seals are used to protect the motor from contacting the pumping liquids. Double mechanical seals are applied to provide efficient protection.
- **Auto-setter(optional)**
Enable easy and quick pump installation, maintenance and repair, no need to empty the tank beforehand.
- **Leakage detector**
Built-in leakage detector in oil chamber can detect leakage caused by poor sealing or mechanical seal damage. (optional, subject to specific model).
- **Heat-protector**
Built-in heat protector in motor prevents the motor from burning out, overload & overheating(optional, subject to specific model).



型号说明 Type description

SPC 5 3.0 - 80

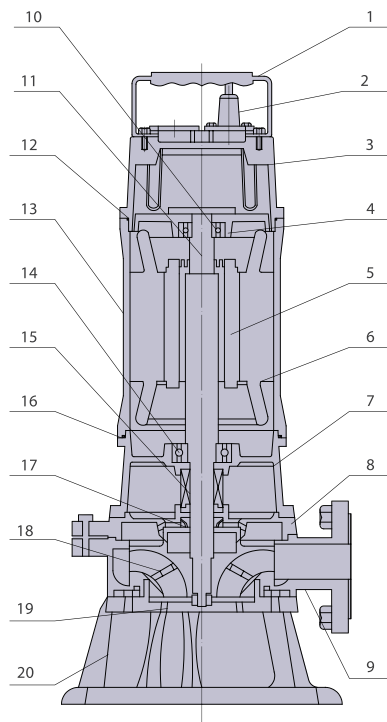
出口口径
 额定功率
 频率
 污水切割排污泵

Outlet diameter (mm)
 Rated power (kW)
 Frequency 5: 50Hz
 Submersible sewage pump with cutter impeller

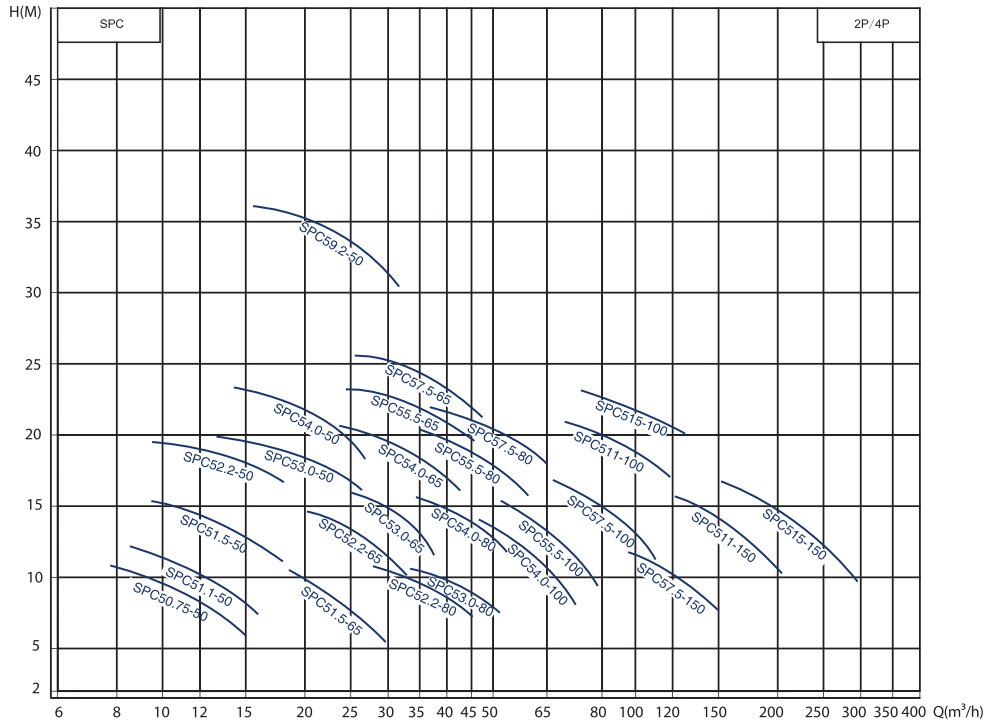
结构简图 Construction

NO.	名称 Name	材质 Material	
		GB	JIS
1	把手 Handle	Q235A	SS400
2	电缆 Cable	NBR	NBR
3	马达盖 Motor cover	HT200	FC200
4	轴承压盖 Bearing cover	HT200	FC200
5	转子 Rotor	-	-
6	定子 Stator	-	-
7	油箱 Chamber	HT200	FC200
8	油箱盖 Oil cover	HT200	FC200
9	泵体 Pump casing	HT200	FC200
10	轴承 Bearing	-	-
11	主轴 Shaft	45	45
12	O型圈 O-ring	NBR	NBR
13	马达本体 Motor casing	HT200	FC200
14	轴承 Bearing	-	-
15	机械密封 Mechanical seal	Sic-Sic	Sic-Sic
16	O型圈 O-ring	NBR	NBR
17	骨架油封 Framework oil seal	-	-
18	叶轮 Impeller	HR45	HR45
19	刀盘 cutterhead	HR45	HR45
20	底座 base	HT200	FC200

不同机型结构略有不同，可根据需求采用不同材质。
 The structure of different models may be slightly different.
 Subject to specific applications, different materials can be selected.



型谱图 Performance chart



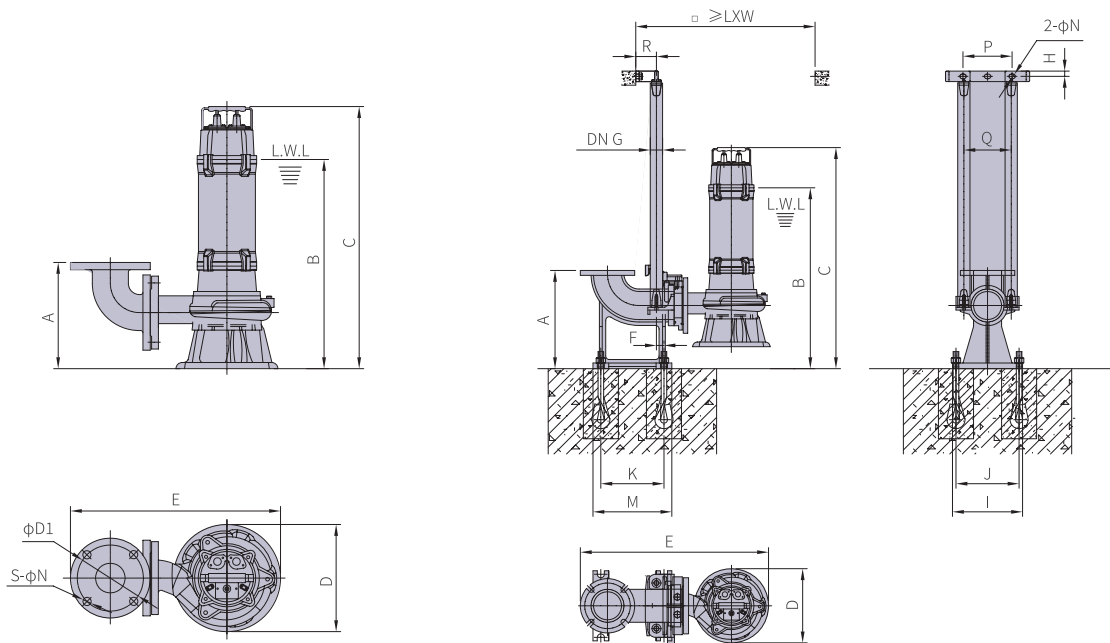
性能参数 Performance parameters

泵型号 Pump model	转速 Speed (r/min)	流量 Capacity (m ³ /h)	扬程 Head (m)	效率 Eff. η (%)	电机功率 Motor power (kw)	口径 Dia. (mm)	泵重量 Weight (kg)
SPC50.75-50	2900	10	10	38	0.75	50	23
SPC51.1-50	2900	10	12	38	1.1	50	24
SPC51.5-50	2900	10	14	38	1.5	50	36
SPC52.2-50	2900	10	18	40	2.2	50	40
SPC53.0-50	2900	15	18	40	3.0	50	46
SPC54.0-50	2900	15	22	40	4.0	50	52
SPC59.2-50	2900	20	36	46	9.2	50	72
SPC51.5-65	2900	20	10	38	1.5	65	37
SPC52.2-65	2900	25	14	42	2.2	65	42
SPC53.0-65	2900	30	15	42	3.0	65	47
SPC54.0-65	2900	30	18	42	4.0	65	53
SPC55.5-65	2900	30	22	45	5.5	65	61
SPC57.5-65	2900	30	26	45	7.5	65	70
SPC52.2-80	2900	35	8	45	2.2	80	43
SPC53.0-80	2900	35	9.5	46	3.0	80	48
SPC54.0-80	2900	40	15	46	4.0	80	54



泵型号 Pump model	转速 Speed (r/min)	流量 Capacity (m ³ /h)	扬程 Head (m)	效率 Eff. η (%)	电机功率 Motor power (kw)	口径 Dia. (mm)	泵重量 Weight (kg)
SPC55.5-80	2900	40	19	48	5.5	80	63
SPC57.5-80	2900	40	22	48	7.5	80	72
SPC54.0-100	2900	55	12	50	4.0	100	55
SPC55.5-100	2900	55	14	52	5.5	100	64
SPC57.5-100	2900	80	15	52	7.5	100	73
SPC511-100	1450	80	20	55	11	100	219
SPC515-100	1450	80	23	56	15	100	233
SPC57.5-150	2900	120	10	54	7.5	150	75
SPC511-150	1450	150	15	62	11	150	226
SPC515-150	1450	200	15	65	15	150	241

安装尺寸 Installation dimensions



无着脱式
without autosetter

附着脱式
with autosetter



无着脱式外形尺寸 Dimensions (without auto-setter)

单位Unit(mm)

型号 Type	A	B	C	D	E	D1	S-φN
SPC50.75-50	169	343	430	175	375	125	4-φ19
SPC51.1-50	169	343	430	175	375	125	4-φ19
SPC51.5-50	212	456	569	240	437	125	4-φ19
SPC52.2-50	222	467	585	265	487	125	4-φ19
SPC53.0-50	218	463	576	240	467	125	4-φ19
SPC54.0-50	222	467	585	265	507	125	4-φ19
SPC59.2-50	232	527	660	285	523	125	4-φ19
SPC51.5-65	227	453	568	240	429	145	4-φ19
SPC52.2-65	237	467	585	265	491	145	4-φ19
SPC53.0-65	233	459	575	240	467	145	4-φ19
SPC54.0-65	237	472	590	265	511	145	4-φ19
SPC55.5-65	241	532	650	268	521	145	4-φ19
SPC57.5-65	247	542	660	285	541	145	4-φ19
SPC52.2-80	257	467	585	265	509	160	4-φ19
SPC53.0-80	253	459	575	240	484	160	4-φ19
SPC54.0-80	257	472	590	265	529	160	4-φ19
SPC55.5-80	261	532	650	268	539	160	4-φ19
SPC57.5-80	267	542	660	285	559	160	4-φ19
SPC54.0-100	253	472	590	265	548	180	8-φ19
SPC55.5-100	257	532	650	268	558	180	8-φ19
SPC57.5-100	263	542	660	285	578	180	8-φ19
SPC511-100	367	844	1038	476	764	180	8-φ19
SPC515-100	367	844	1038	476	764	180	8-φ19
SPC57.5-150	381	552	670	285	743	240	8-φ22
SPC511-150	460	791	988	510	957	240	8-φ22
SPC515-150	460	829	1018	510	957	240	8-φ22

附着脱式外形尺寸 Dimensions (with auto-setter)

单位Unit(mm)

型号 Type	A	B	C	D	E	F	G	H	J	I	K	M	R	P	Q	N	LxW
SPC50.75-50	310	504	591	175	508	5.5	40	17.5	110	150	110	180	65	90	120	13	400x250
SPC51.1-50	310	504	591	175	508	5.5	40	17.5	110	150	110	180	65	90	120	13	400x250
SPC51.5-50	310	574	687	240	571	5.5	40	17.5	110	150	110	180	65	90	120	13	500x350
SPC52.2-50	310	575	693	265	621	5.5	40	17.5	110	150	110	180	65	90	120	13	550x350
SPC53.0-50	310	575	688	240	601	5.5	40	17.5	110	150	110	180	65	90	120	13	500x350
SPC54.0-50	310	575	693	265	641	5.5	40	17.5	110	150	110	180	65	90	120	13	550x350
SPC59.2-50	310	625	757	285	657	5.5	40	17.5	110	150	110	180	65	90	120	13	600x400
SPC51.5-65	280	516	630	240	541	21.5	25	15	180	200	180	225	59	140	135	13	500x350
SPC52.2-65	280	520	638	265	604	21.5	25	15	180	200	180	225	59	140	135	13	550x350
SPC53.0-65	280	516	632	240	579	21.5	25	15	180	200	180	225	59	140	135	13	500x350
SPC54.0-65	280	525	643	265	624	21.5	25	15	180	200	180	225	59	140	135	13	550x350
SPC55.5-65	280	581	699	268	634	21.5	25	15	180	200	180	225	59	140	135	13	550x350
SPC57.5-65	280	585	703	285	654	21.5	25	15	180	200	180	225	59	140	135	13	600x400
SPC52.2-80	280	520	638	265	603	21.5	25	15	180	200	180	225	59	140	135	13	550x350



单位Unit(mm)

型号 Type	A	B	C	D	E	F	G	H	J	I	K	M	R	P	Q	N	LxW
SPC53.0-80	280	516	632	240	579	21.5	25	15	180	200	180	225	59	140	135	13	500x350
SPC54.0-80	280	525	643	265	624	21.5	25	15	180	200	180	225	59	140	135	13	550x350
SPC55.5-80	280	581	700	268	634	21.5	25	15	180	200	180	225	59	140	135	13	550x350
SPC57.5-80	280	585	703	285	654	21.5	25	15	180	200	180	225	59	140	135	13	600x400
SPC54.0-100	340	545	663	265	708	54	40	17.5	180	220	180	240	65	100	130	13	550x350
SPC55.5-100	340	601	719	268	717	54	40	17.5	180	220	180	240	65	100	130	13	550x350
SPC57.5-100	340	605	723	285	736	54	40	17.5	180	220	180	240	65	100	130	13	600x400
SPC511-100	420	883	1077	476	973	40	40	17.5	240	280	265	340	65	100	130	13	850x550
SPC515-100	420	883	1077	476	973	40	40	17.5	240	280	265	340	65	100	130	13	850x550
SPC57.5-150	420	655	773	285	880	22	50	25	260	300	240	380	100	400	280	15	750x400
SPC511-150	420	815	1012	510	1094	22	50	25	260	300	240	380	100	400	280	15	850x600
SPC515-150	420	853	1042	510	1094	22	50	25	260	300	240	380	100	400	280	15	850x600

注意事项:

一般注意事项:

- 使用前检查电缆线是否有破损;
- 检查电泵是否存在运输不当而导致的漏电、破损、卡死等情况;
- 将电缆接在具有保护装置的控制柜中;
- 设备运转时, 人员及畜牧必须与泵保持15米以上距离;
- 泵在工作时, 禁止维修人员进入水池。

特别注意事项:

- 泵与池底的安装距离应高于25cm;
- 为延长切割装置的使用寿命, 应避免吸入石子、螺丝、铁钉等坚硬物质;
- 更换切割装置需特别注意叶轮与切割盘之间的间隙, 其间隙应控制在0.1-0.25mm之间;
- 抽送介质主要是以水为主的可流动性液体;
- 若用于渣液多、流动性差的工作环境, 必须加水后启动。

Precautions:

General Precautions:

- Check the cable before installation to make sure no damage.
- Check the pump to make sure no electric leakage, breakage, stuck issues caused by improper transportation.
- The cable should be connected to the control cabinet with protection devices.
- Field staff and livestock should keep 15m away while the pump is working.
- Field staff is prohibited to enter the tank while the pump is working.









Special Precautions:

- Pump should be installed 25cm above the bottom of the tank.
- In order to prolong the service life of cutting device, keep the pump from inhalation of solid substance such as the stones, screws or iron nails.
- When changing the cutting device, pay special attention to the space between impeller and cutting plate, the distance should be within 0.1mm-0.25mm.
- The pumping medium shall be water-based flowable liquid.
- If applied to medium of slag liquid and poor fluidity, make sure to add water before start-up.



欢迎索取以下产品型录

To find out more about following products, please visit www.gsd.net.cn

	泵系列 Pump Series	潜水泵系列 陆上泵系列 特种泵系列 Submersible pump series On land pump series Special pump series
	搅拌推流系列 Mixing and flow propeller	搅拌机系列 推流器系列 Mixing series Flow propeller series
	供氧曝气系列 Aeration equipment series	曝气机系列 曝气盘系列 曝气管系列 Aerator series Disc diffusers Tube diffusers
	风机系列 Blower Series	磁悬浮鼓风机 空气悬浮鼓风机 三叶罗茨鼓风机系列 Maglev turbo blower Turbo blower Three-lobe roots blower series
	污泥处理设备 Sludge treatment equipment	带式脱水机 厢式压滤机 叠螺式脱水机 污泥干化设备 浅层高效气浮设备 Belt filter press Box filter press Screw press Mud scraper Dissolved air flotation clarifier
	智能化系列 Intelligent series	智能设备 水务设备健康管理 水务系统工艺优化智联管理 Intelligent equipment Health management for water equipment Intelligent management for water system process
	反应器及套装设备 Reactor and package equipment	芬顿反应系统 MBR生物膜反应器 预制泵站 一体化污水处理设备 Fenton reaction system MBR biofilm reactor Prefabricated pumping station Intelligent Compact Unit
	耗材药剂及相关设备 Consumables, reagents and related equipment	生物绳 PAC 聚合氯化铝 PAM 聚丙烯酰胺 泡药设备 Biological rope PAC polyaluminum chloride PAM polyacrylamide Automatic dispensing dissolvers

GSD的经营理念 Business Philosophy

G-Green 绿色 S-Safe 安全 D-Development 永续经营



川源(中国)机械有限公司
GSD (China) Co., Ltd.

水处理系统专业合作伙伴

Professional partners in water treatment systems

免费咨询电话

400-657-9066

川源(中国)机械有限公司版权所有 all rights reserved. CY-3B

数据来源: 公司实验室数据及客户实际使用数据, 具体使用环境不同, 数据可能存在差异。本型录内容如有变更, 恕不另行通知。

The data on the brochure is based on the laboratory testing data and customers' actual operation data in the past. The actual data may be different in different application conditions. We reserve the right to change content without notice.

