



川源(中国)机械有限公司
GSD (China) Co., Ltd.

A wide-angle photograph of the Singapore skyline at sunset. The sky is a mix of blue and orange, with the sun low on the horizon. The water in the foreground reflects the sky and the buildings. The Esplanade - Theatres on the Bay is prominent in the foreground on the left.

GMS

卧式直接式离心泵

GMS coaxial pump

GMS 卧式直接式离心泵

GMS Coaxial Pump



特点

- 叶轮采用优秀的水力模型设计，具有极好的动静平衡，性能稳定。
- 采用特殊结构设计，泵轴向总长度比传统单吸泵显著缩短，以利于提高运转平稳性，降低噪音。
- 采用进口轴承，振动小，噪音低。
- 单吸、单级卧式离心泵，闭式叶轮。
- 同轴直接式构造，效率高，体积小，重量轻，安装保养容易。
- 采用机械密封，不损轴心，不漏水，使用寿命长。
- 可根据要求采用不同材质。（本型录为铸铁材质，若选用不锈钢材质，则尺寸及重量另行提供。）

用途

- 暖通空调冷热水循环系统
- 设备配套
- 高楼给水
- 一般工业用水
- 消防给水
- 土木施工用水
- 污水处理设备
- 锅炉给水

Application

- Air-condition cold or hot water circulation
- Can be used together with equipment
- Water-supplying system of apartment building
- Industrial water supply
- Fire-fighting water system
- Construction engineering water supply
- Waste water treatment
- Boiler water supply

Features

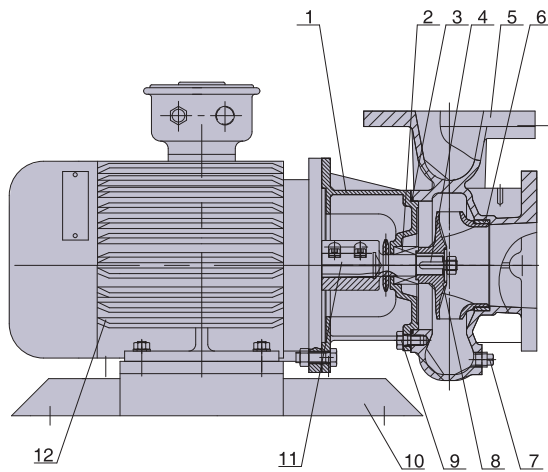
- The optimal hydraulic model is used for impeller, the pump is of an utmost dynamic-static balance and reliable performance.
- Special structural design, the total length of the shaft significantly shorter than the traditional single-suction pump, in order to improve the operation stability, lower noise.
- The pump which is supported by imported bearing, runs at little vibration and low noise.
- Single-stage single-suction horizontal centrifugal pump, closed impeller.
- Coaxial volute structure, high efficiency, small volume, light weight, easy installation and maintenance.
- Mechanical seal, no damage to shaft, no leakage, long duration.
- Materials can be selected according to the requirement of the customer. (Material of the pump model in the castalog is cast iron. The size and weight of the pump made of stainless steel can be provided separately.)



型号说明 Type description



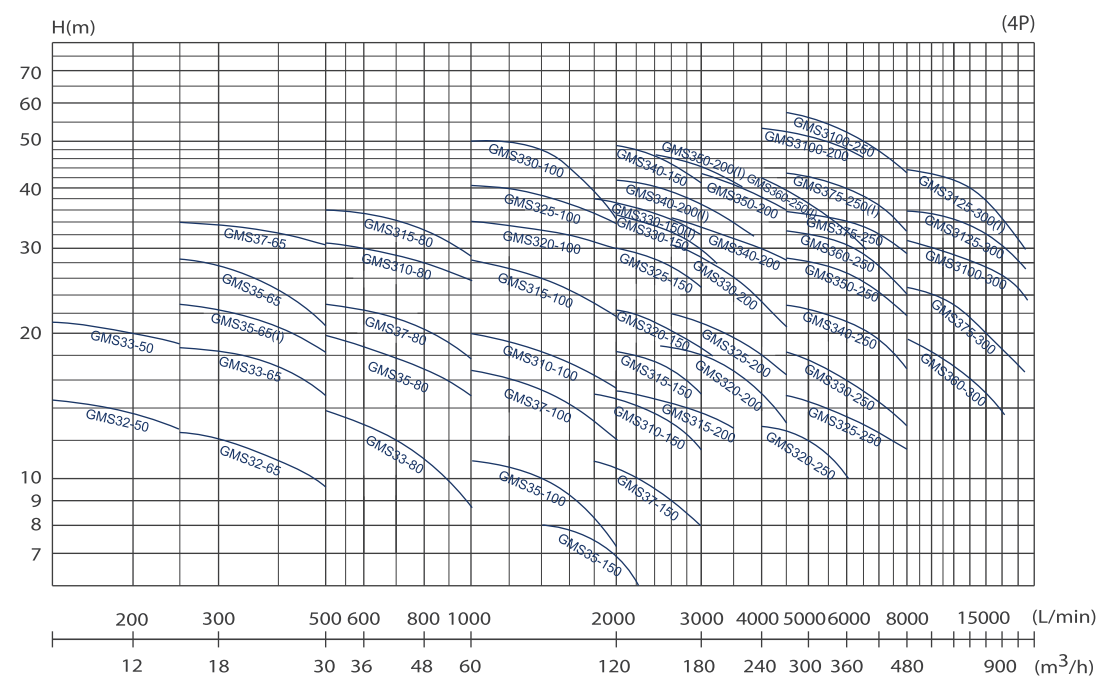
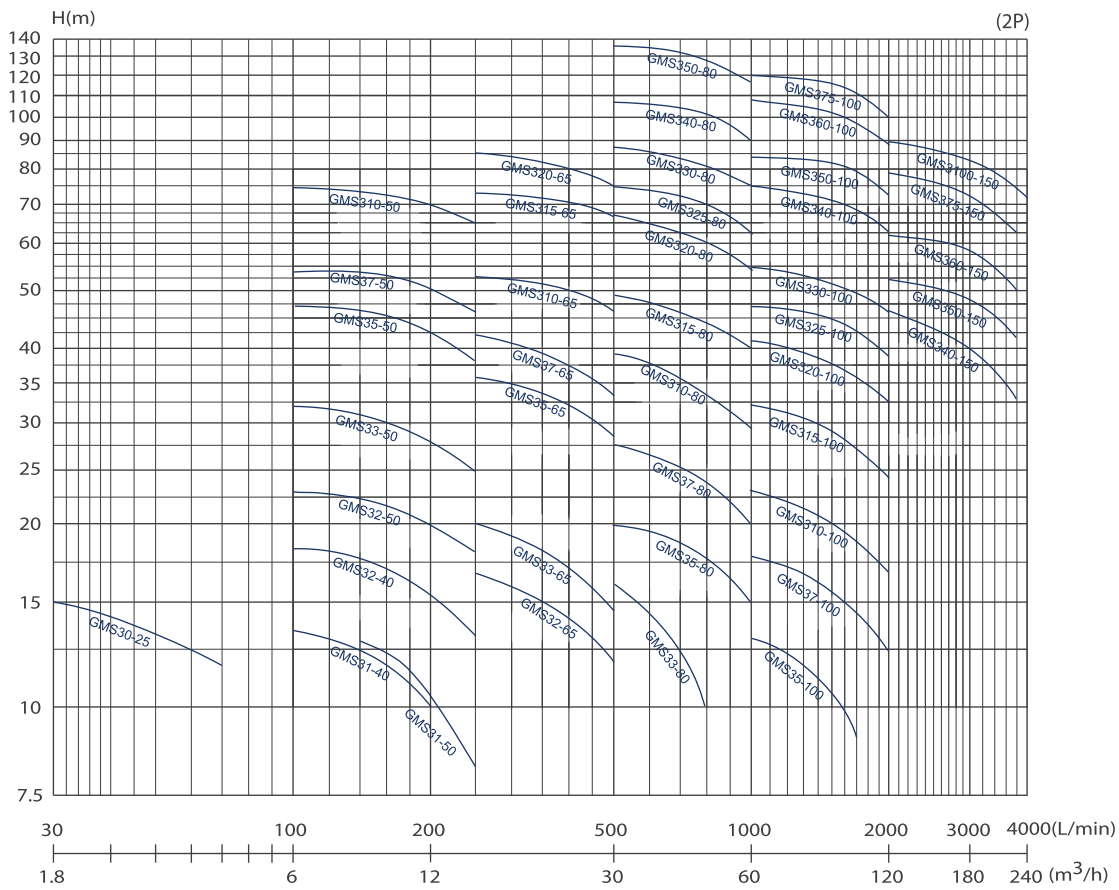
结构简图 Construction



| NO. | 名称 | Name | 材质 | |
|-----|------|-----------------|----------------------------------|----------------------------------|
| | | | GB | JIS |
| 1 | 中承座 | Bracket | HT200 | FC200 |
| 2 | 机械密封 | Mechanical seal | C/AL ₂ O ₃ | C/AL ₂ O ₃ |
| 3 | O型圈 | O-ring | NBR | NBR |
| 4 | 键 | Key | 30Cr13 | SUS420J2 |
| 5 | 泵体 | Pump casing | HT200 | FC200 |
| 6 | 密封环 | Seal ring | LBC6 | LBC6 |

| NO. | 名称 | Name | 材质 | |
|-----|-----|----------|-------------|-------------|
| | | | GB | JIS |
| 7 | 丝堵 | Plug | Q215A | SS34(SS330) |
| 8 | 叶轮 | Impeller | HT200 | FC200 |
| 9 | 螺栓 | Bolts | Q215A | SS34(SS330) |
| 10 | 机座 | Feet | HT200/Q215A | FC200/SS34 |
| 11 | 套筒轴 | Shaft | 20Cr13 | SUS420 |
| 12 | 电机 | Motor | - | - |

型谱图 Performance chart



性能参数 Performance parameters

(2P)

| 型号 Type | 转速 Speed (r/min) | 流量 Capacity (m ³ /h) | 扬程 Head(m) | 效率 Eff(%) | 电动机功率 Motor power | | 必须气蚀余量 Npshr(m) | 口径 Dia.(mm) | 重量 Weight(kg) |
|------------|------------------------|---------------------------------------|---------------|--------------|----------------------|------|--------------------|----------------|------------------|
| | | | | | (hp) | (kW) | | | |
| GMS30-25 | 2900 | 2.0 | 15 | 30 | 0.5 | 0.37 | 2.0 | 25 | 24 |
| | | 2.5 | 13 | 35 | | | 2.0 | | |
| | | 3.0 | 12 | 34 | | | 2.0 | | |
| GMS31-40 | 2900 | 7.2 | 13 | 55 | 1 | 0.75 | 2.0 | 40 | 30 |
| | | 9 | 11.5 | 60 | | | 2.0 | | |
| | | 10.8 | 10.5 | 58 | | | 2.0 | | |
| GMS32-40 | 2900 | 8.8 | 17.5 | 57 | 2 | 1.5 | 2.0 | 40 | 35 |
| | | 11 | 16 | 61 | | | 2.0 | | |
| | | 13.2 | 14 | 60 | | | 2.2 | | |
| GMS31-50 | 2900 | 9.4 | 11 | 56 | 1 | 0.75 | 2.0 | 50 | 28 |
| | | 11.7 | 10 | 60 | | | 2.0 | | |
| | | 14 | 9 | 59 | | | 2.2 | | |
| GMS32-50 | 2900 | 8.8 | 21.5 | 56 | 2 | 1.5 | 2.0 | 50 | 39 |
| | | 12.5 | 20 | 62 | | | 2.0 | | |
| | | 16.3 | 17.8 | 61 | | | 2.2 | | |
| GMS33-50 | 2900 | 9.4 | 29.5 | 46 | 3 | 2.2 | 2.0 | 50 | 52 |
| | | 11.7 | 28 | 54 | | | 2.0 | | |
| | | 14 | 25 | 53 | | | 2.4 | | |
| GMS35-50 | 2900 | 9.4 | 46 | 46 | 5.5 | 4 | 2.0 | 50 | 72 |
| | | 11.7 | 44 | 50 | | | 2.0 | | |
| | | 13 | 40 | 49 | | | 2.5 | | |
| GMS37-50 | 2900 | 10 | 52 | 46 | 7.5 | 5.5 | 2.1 | 50 | 80 |
| | | 12.5 | 50 | 48 | | | 2.2 | | |
| | | 15 | 47 | 47 | | | 2.5 | | |
| GMS310-50 | 2900 | 9.4 | 72 | 34 | 10 | 7.5 | 2.2 | 50 | 108 |
| | | 11.7 | 70 | 39 | | | 2.4 | | |
| | | 13 | 66 | 38 | | | 2.5 | | |
| GMS32-65 | 2900 | 16.8 | 16.5 | 66 | 2 | 1.5 | 2.0 | 65 | 41 |
| | | 21 | 15 | 71 | | | 2.0 | | |
| | | 25.2 | 13 | 70 | | | 2.5 | | |
| GMS33-65 | 2900 | 16 | 20 | 67 | 3 | 2.2 | 2.2 | 65 | 43 |
| | | 22.3 | 18 | 70 | | | 2.2 | | |
| | | 29 | 14 | 69 | | | 2.5 | | |
| GMS35-65 | 2900 | 20 | 34 | 63 | 5.5 | 4 | 2.0 | 65 | 76 |
| | | 25 | 32 | 66 | | | 2.0 | | |
| | | 30 | 28 | 65 | | | 2.5 | | |
| GMS37-65 | 2900 | 17.4 | 40.5 | 54 | 7.5 | 5.5 | 2.0 | 65 | 92 |
| | | 21.7 | 38 | 60 | | | 2.0 | | |
| | | 26 | 34 | 56 | | | 2.5 | | |
| GMS310-65 | 2900 | 20 | 51.5 | 57 | 10 | 7.5 | 2.0 | 65 | 102 |
| | | 25 | 50 | 60 | | | 2.0 | | |
| | | 30 | 47 | 59 | | | 2.5 | | |
| GMS315-65 | 2900 | 18.4 | 72 | 48 | 15 | 11 | 2.0 | 65 | 145 |
| | | 23 | 70 | 52 | | | 2.0 | | |
| | | 27.6 | 66.5 | 51 | | | 2.5 | | |
| GMS320-65 | 2900 | 20 | 82 | 47 | 20 | 15 | 2.0 | 65 | 174 |
| | | 25 | 80 | 51 | | | 2.0 | | |
| | | 30 | 74 | 50 | | | 2.5 | | |
| GMS33-80 | 2900 | 32 | 16 | 70 | 5.5 | 4 | 3.0 | 80 | 65 |
| | | 40 | 12 | 73 | | | 3.0 | | |
| | | 46 | 10 | 66 | | | 3.5 | | |
| GMS35-80 | 2900 | 35.8 | 18 | 72 | 5.5 | 4 | 3.0 | 80 | 71 |
| | | 44.7 | 16 | 74 | | | 3.0 | | |
| | | 53.6 | 14 | 68 | | | 3.5 | | |
| GMS37-80 | 2900 | 34.6 | 26 | 66 | 7.5 | 5.5 | 2.5 | 80 | 98 |
| | | 43.3 | 24 | 72 | | | 2.5 | | |
| | | 52 | 21 | 70 | | | 2.5 | | |
| GMS310-80 | 2900 | 32 | 38 | 60 | 10 | 7.5 | 2.5 | 80 | 106 |
| | | 40 | 36 | 68 | | | 2.5 | | |
| | | 48 | 33 | 66 | | | 3.0 | | |
| GMS315-80 | 2900 | 37.4 | 46.5 | 61 | 15 | 11 | 2.5 | 80 | 157 |
| | | 46.8 | 44 | 68 | | | 2.5 | | |
| | | 56.2 | 41 | 66 | | | 3.0 | | |
| GMS320-80 | 2900 | 34.6 | 64 | 58 | 20 | 15 | 2.5 | 80 | 181 |
| | | 43.3 | 60 | 64 | | | 2.5 | | |
| | | 52 | 57 | 59 | | | 3.0 | | |
| GMS325-80 | 2900 | 37 | 73.5 | 50 | 25 | 18.5 | 2.5 | 80 | 205 |
| | | 46.8 | 70 | 62 | | | 2.5 | | |
| | | 56 | 65 | 60 | | | 3.0 | | |

性能参数 Performance parameters

(2P)

| 型号 Type | 转速 Speed (r/min) | 流量 Capacity (m³/h) | 扬程 Head(m) | 效率 Eff(%) | 电动机功率 Motor power | | 必须气蚀余量 Npshr(m) | 口径 Dia.(mm) | 重量 Weight(kg) |
|-------------|------------------------|--------------------------|---------------|--------------|----------------------|------|--------------------|----------------|------------------|
| | | | | | (hp) | (kW) | | | |
| GMS330-80 | 2900 | 40 | 84 | 54 | 30 | 22 | 2.5 | 80 | 250 |
| | | 50 | 80 | 62 | | | 2.5 | | |
| | | 60 | 75 | 61 | | | 3.0 | | |
| GMS340-80 | 2900 | 36.4 | 108 | 46 | 40 | 30 | 3.0 | 80 | 262 |
| | | 45.4 | 103 | 50 | | | 3.0 | | |
| | | 54.5 | 93 | 49 | | | 3.0 | | |
| GMS350-80 | 2900 | 40 | 132 | 49 | 50 | 37 | 3.0 | 80 | 410 |
| | | 50 | 125 | 54 | | | 3.0 | | |
| | | 60 | 119 | 53 | | | 3.5 | | |
| GMS35-100 | 2900 | 56 | 13.5 | 66 | 5.5 | 4 | 3.5 | 100 | 77 |
| | | 70 | 12 | 73 | | | 4.0 | | |
| | | 84 | 10 | 72 | | | 4.5 | | |
| GMS37-100 | 2900 | 68 | 17.5 | 68 | 7.5 | 5.5 | 4.0 | 100 | 96 |
| | | 85 | 16 | 76 | | | 4.5 | | |
| | | 102 | 14 | 75 | | | 4.5 | | |
| GMS310-100 | 2900 | 72 | 22.5 | 69 | 10 | 7.5 | 4.0 | 100 | 97 |
| | | 90 | 20 | 77 | | | 4.5 | | |
| | | 108 | 18 | 75 | | | 5.0 | | |
| GMS315-100 | 2900 | 72 | 31.5 | 71 | 15 | 11 | 3.5 | 100 | 168 |
| | | 90 | 28 | 77 | | | 4.0 | | |
| | | 108 | 21 | 60 | | | 5.0 | | |
| GMS320-100 | 2900 | 69.2 | 40 | 68 | 20 | 15 | 3.0 | 100 | 174 |
| | | 86.6 | 38 | 75 | | | 3.5 | | |
| | | 102 | 34.5 | 71 | | | 3.6 | | |
| GMS325-100 | 2900 | 74.8 | 46 | 68 | 25 | 18.5 | 2.9 | 100 | 210 |
| | | 93.5 | 44 | 76 | | | 3.5 | | |
| | | 112.2 | 40 | 73 | | | 4.1 | | |
| GMS330-100 | 2900 | 80 | 52.5 | 68 | 30 | 22 | 3.0 | 100 | 260 |
| | | 100 | 50 | 75 | | | 3.5 | | |
| | | 120 | 46 | 74 | | | 4.0 | | |
| GMS340-100 | 2900 | 74.8 | 74 | 65 | 40 | 30 | 2.5 | 100 | 281 |
| | | 93.5 | 70 | 70 | | | 3.5 | | |
| | | 112.2 | 64 | 69 | | | 4.0 | | |
| GMS350-100 | 2900 | 80 | 84 | 65 | 50 | 37 | 2.5 | 100 | 352 |
| | | 100 | 80 | 70 | | | 3.5 | | |
| | | 120 | 72 | 69 | | | 4.0 | | |
| GMS360-100 | 2900 | 72 | 106 | 54 | 60 | 45 | 2.5 | 100 | 387 |
| | | 90 | 100 | 62 | | | 3.5 | | |
| | | 108 | 91 | 60 | | | 4.0 | | |
| GMS375-100 | 2900 | 76.4 | 118 | 58 | 75 | 55 | 3.0 | 100 | 448 |
| | | 95.5 | 114 | 64 | | | 3.0 | | |
| | | 115 | 102 | 63 | | | 4.0 | | |
| GMS340-150 | 2900 | 144 | 43 | 68 | 40 | 30 | 5.0 | 150 | 375 |
| | | 180 | 40 | 77 | | | 6.0 | | |
| | | 216 | 35 | 74 | | | 7.0 | | |
| GMS350-150 | 2900 | 144 | 51 | 69 | 50 | 37 | 4.8 | 150 | 410 |
| | | 180 | 48 | 77 | | | 5.8 | | |
| | | 216 | 43.5 | 74 | | | 6.8 | | |
| GMS360-150 | 2900 | 144 | 61 | 69 | 60 | 45 | 4.7 | 150 | 438 |
| | | 180 | 58 | 77 | | | 5.6 | | |
| | | 216 | 52 | 74 | | | 6.6 | | |
| GMS375-150 | 2900 | 150 | 76 | 70 | 75 | 55 | 4.7 | 150 | 465 |
| | | 187 | 70 | 78 | | | 5.6 | | |
| | | 224 | 64 | 75 | | | 6.6 | | |
| GMS3100-150 | 2900 | 160 | 85 | 70 | 100 | 75 | 4.8 | 150 | 545 |
| | | 200 | 80 | 78 | | | 5.8 | | |
| | | 240 | 72 | 76 | | | 6.8 | | |



性能参数 Performance parameters

(4P)

| 型号 Type | 转速 Speed (r/min) | 流量 Capacity (m ³ /h) | 扬程 Head(m) | 效率 Eff(%) | 电动机功率 Motor power | | 必须气蚀余量 Npshr(m) | 口径 Dia.(mm) | 重量 Weight(kg) |
|-------------|------------------------|---------------------------------------|---------------|--------------|----------------------|------|--------------------|----------------|------------------|
| | | | | | (hp) | (kW) | | | |
| GMS32-50 | 1450 | 8.6 | 16.5 | 44 | 2 | 1.5 | 2.5 | 50 | 63 |
| | | 10.8 | 15 | 49 | | | 2.5 | | |
| | | 13.0 | 14 | 46 | | | 3.0 | | |
| GMS33-50 | 1450 | 7.5 | 21 | 44 | 3 | 2.2 | 2.0 | 50 | 68 |
| | | 12.5 | 20 | 48 | | | 2.0 | | |
| | | 15 | 19.4 | 45 | | | 2.5 | | |
| GMS32-65 | 1450 | 18.7 | 11.8 | 56 | 2 | 1.5 | 2.5 | 65 | 53 |
| | | 23.4 | 11 | 65 | | | 2.5 | | |
| | | 28 | 10.2 | 62 | | | 3.0 | | |
| GMS33-65 | 1450 | 18.7 | 18.3 | 53 | 3 | 2.2 | 2.5 | 65 | 74 |
| | | 23.4 | 17 | 60 | | | 2.5 | | |
| | | 28 | 15.5 | 56 | | | 3.0 | | |
| GMS35-65(I) | 1450 | 20 | 22 | 54 | 5.5 | 4 | 2.5 | 65 | 105 |
| | | 25 | 20 | 59 | | | 2.5 | | |
| | | 30 | 18.5 | 56 | | | 3.0 | | |
| GMS35-65 | 1450 | 17 | 27 | 44 | 5.5 | 4 | 2.5 | 65 | 105 |
| | | 21.4 | 25 | 53 | | | 2.5 | | |
| | | 25.6 | 22.5 | 51 | | | 3.0 | | |
| GMS37-65 | 1450 | 20 | 33 | 48 | 7.5 | 5.5 | 2.5 | 65 | 130 |
| | | 25 | 32 | 52 | | | 2.5 | | |
| | | 30 | 30.8 | 50 | | | 3.0 | | |
| GMS33-80 | 1450 | 32 | 14 | 65 | 3 | 2.2 | 2.0 | 80 | 83 |
| | | 40 | 12 | 70 | | | 2.0 | | |
| | | 48 | 9 | 68 | | | 2.5 | | |
| GMS35-80 | 1450 | 37 | 18.7 | 60 | 5.5 | 4 | 2.0 | 80 | 96 |
| | | 46.7 | 17 | 68 | | | 2.0 | | |
| | | 56 | 16.6 | 64 | | | 2.5 | | |
| GMS37-80 | 1450 | 40 | 22 | 60 | 7.5 | 5.5 | 2.0 | 80 | 109 |
| | | 50 | 20 | 69 | | | 2.0 | | |
| | | 60 | 18 | 65 | | | 2.5 | | |
| GMS310-80 | 1450 | 37 | 30 | 56 | 10 | 7.5 | 2.0 | 80 | 144 |
| | | 46.7 | 28 | 63 | | | 2.0 | | |
| | | 56 | 26.5 | 61 | | | 2.5 | | |
| GMS315-80 | 1450 | 40 | 34.2 | 60 | 15 | 11 | 2.0 | 80 | 188 |
| | | 50 | 32 | 63 | | | 2.0 | | |
| | | 60 | 29 | 62 | | | 2.5 | | |
| GMS35-100 | 1450 | 69.2 | 10.5 | 66 | 5.5 | 4 | 2.5 | 100 | 100 |
| | | 86.5 | 9.5 | 75 | | | 2.5 | | |
| | | 103.8 | 8 | 70 | | | 3.0 | | |
| GMS37-100 | 1450 | 69.2 | 16.6 | 67 | 7.5 | 5.5 | 2.5 | 100 | 126 |
| | | 89.5 | 15 | 75 | | | 2.5 | | |
| | | 103.8 | 13.2 | 72 | | | 3.0 | | |
| GMS310-100 | 1450 | 74.8 | 18.5 | 69 | 10 | 7.5 | 2.5 | 100 | 140 |
| | | 93.5 | 17.5 | 74 | | | 2.5 | | |
| | | 112.2 | 16 | 73 | | | 3.0 | | |
| GMS315-100 | 1450 | 72.6 | 27.2 | 62 | 15 | 11 | 2.5 | 100 | 198 |
| | | 90.8 | 25.8 | 71 | | | 2.5 | | |
| | | 109 | 22.8 | 68 | | | 3.0 | | |
| GMS320-100 | 1450 | 80 | 33.5 | 67 | 20 | 15 | 2.5 | 100 | 227 |
| | | 100 | 32 | 72 | | | 2.5 | | |
| | | 120 | 29.5 | 71 | | | 3.0 | | |
| GMS325-100 | 1450 | 72 | 40 | 62 | 25 | 18.5 | 2.5 | 100 | 320 |
| | | 90 | 38 | 68 | | | 2.5 | | |
| | | 108 | 35.5 | 65 | | | 3.0 | | |
| GMS330-100 | 1450 | 76 | 47 | 60 | 30 | 22 | 2.5 | 100 | 342 |
| | | 95 | 44 | 66 | | | 2.5 | | |
| | | 114 | 38 | 63 | | | 3.0 | | |
| GMS35-150 | 1450 | 96 | 8 | 70 | 5.5 | 4 | 3.0 | 150 | 112 |
| | | 120 | 7 | 76 | | | 3.0 | | |
| | | 144 | 5 | 72 | | | 3.5 | | |
| GMS37-150 | 1450 | 108 | 11 | 71 | 7.5 | 5.5 | 3.0 | 150 | 202 |
| | | 130 | 10 | 77 | | | 3.0 | | |
| | | 156 | 9 | 74 | | | 3.5 | | |
| GMS310-150 | 1450 | 107 | 15 | 71 | 10 | 7.5 | 3.0 | 150 | 151 |
| | | 134 | 14 | 79 | | | 3.0 | | |
| | | 160 | 12.5 | 78 | | | 3.5 | | |
| GMS315-150 | 1450 | 120 | 18.5 | 74 | 15 | 11 | 2.5 | 150 | 202 |
| | | 147 | 17 | 79 | | | 2.5 | | |
| | | 180 | 15 | 78 | | | 3.0 | | |

性能参数 Performance parameters

(4P)

| 型号 Type | 转速 Speed (r/min) | 流量 Capacity (m³/h) | 扬程 Head(m) | 效率 Eff(%) | 电动机功率 Motor power | | 必须气蚀余量 Npshr(m) | 口径 Dia.(mm) | 重量 Weight(kg) |
|---------------|------------------------|--------------------------|---------------|--------------|----------------------|------|--------------------|----------------|------------------|
| | | | | | (hp) | (kW) | | | |
| GMS320-150 | 1450 | 128 | 21.5 | 75 | 20 | 15 | 2.5 | 150 | 232 |
| | | 160 | 20 | 80 | | | 2.5 | | |
| | | 192 | 18 | 78 | | | 3.0 | | |
| GMS325-150 | 1450 | 120 | 30 | 70 | 25 | 18.5 | 2.5 | 150 | 284 |
| | | 150 | 28 | 78 | | | 2.5 | | |
| | | 180 | 25 | 75 | | | 3.0 | | |
| GMS330-150(I) | 1450 | 108 | 38 | 69 | 30 | 22 | 3.0 | 150 | 323 |
| | | 130 | 36 | 73 | | | 3.0 | | |
| | | 156 | 33 | 70 | | | 3.5 | | |
| GMS330-150 | 1450 | 128 | 34.8 | 70 | 30 | 22 | 2.5 | 150 | 310 |
| | | 160 | 32 | 78 | | | 2.5 | | |
| | | 192 | 28 | 75 | | | 3.0 | | |
| GMS340-150 | 1450 | 120 | 48.5 | 66 | 40 | 30 | 3.0 | 150 | 373 |
| | | 150 | 45 | 72 | | | 3.0 | | |
| | | 180 | 41 | 71 | | | 3.5 | | |
| GMS315-200 | 1450 | 133 | 15 | 68 | 15 | 11 | 3.0 | 200 | 215 |
| | | 167 | 14 | 78 | | | 3.0 | | |
| | | 200 | 13 | 75 | | | 3.0 | | |
| GMS320-200 | 1450 | 148 | 19 | 72 | 20 | 15 | 2.5 | 200 | 237 |
| | | 185 | 17 | 78 | | | 2.5 | | |
| | | 222 | 15 | 77 | | | 3.0 | | |
| GMS325-200 | 1450 | 160 | 21.5 | 72 | 25 | 18.5 | 2.5 | 200 | 308 |
| | | 200 | 20 | 78 | | | 2.5 | | |
| | | 240 | 18 | 76 | | | 3.0 | | |
| GMS330-200 | 1450 | 148 | 31 | 72 | 30 | 22 | 3.0 | 200 | 324 |
| | | 185 | 28 | 79 | | | 3.0 | | |
| | | 222 | 24 | 78 | | | 3.5 | | |
| GMS340-200(I) | 1450 | 136 | 41 | 66 | 40 | 30 | 2.5 | 200 | 360 |
| | | 170 | 38 | 74 | | | 2.5 | | |
| | | 204 | 34 | 71 | | | 3.0 | | |
| GMS340-200 | 1450 | 160 | 34.6 | 72 | 40 | 30 | 3.0 | 200 | 336 |
| | | 200 | 32 | 79 | | | 3.0 | | |
| | | 240 | 30 | 78 | | | 3.5 | | |
| GMS350-200(I) | 1450 | 144 | 46.5 | 69 | 50 | 37 | 3.0 | 200 | 532 |
| | | 180 | 44 | 75 | | | 3.5 | | |
| | | 216 | 40.5 | 73 | | | 4.0 | | |
| GMS350-200 | 1450 | 176 | 43 | 70 | 50 | 37 | 3.0 | 200 | 462 |
| | | 200 | 40 | 76 | | | 3.5 | | |
| | | 264 | 36 | 72 | | | 4.0 | | |
| GMS3100-200 | 1450 | 240 | 52 | 72 | 100 | 75 | 4.5 | 200 | 782 |
| | | 300 | 50 | 79 | | | 4.5 | | |
| | | 400 | 47 | 78 | | | 5.0 | | |
| GMS320-250 | 1450 | 240 | 13 | 73 | 20 | 15 | 3.1 | 250 | 290 |
| | | 300 | 12 | 77 | | | 3.7 | | |
| | | 360 | 10 | 75 | | | 4.4 | | |
| GMS325-250 | 1450 | 264 | 15 | 73 | 25 | 18.5 | 4.0 | 250 | 334 |
| | | 330 | 14 | 78 | | | 5.0 | | |
| | | 396 | 13 | 76 | | | 6.0 | | |
| GMS330-250 | 1450 | 288 | 18 | 73 | 30 | 22 | 4.0 | 250 | 351 |
| | | 360 | 16 | 80 | | | 5.0 | | |
| | | 432 | 14 | 78 | | | 6.0 | | |
| GMS340-250 | 1450 | 320 | 22 | 74 | 40 | 30 | 3.5 | 250 | 416 |
| | | 400 | 20 | 80 | | | 4.3 | | |
| | | 480 | 17 | 79 | | | 5.1 | | |
| GMS350-250 | 1450 | 304 | 28 | 72 | 50 | 37 | 3.5 | 250 | 476 |
| | | 380 | 26 | 80 | | | 4.0 | | |
| | | 456 | 22 | 78 | | | 5.0 | | |
| GMS360-250(I) | 1450 | 264 | 40 | 73 | 60 | 45 | 5.0 | 250 | 536 |
| | | 330 | 35 | 80 | | | 5.0 | | |
| | | 396 | 28 | 78 | | | 5.5 | | |
| GMS360-250 | 1450 | 320 | 31 | 72 | 60 | 45 | 3.5 | 250 | 536 |
| | | 400 | 28 | 80 | | | 4.0 | | |
| | | 480 | 24 | 78 | | | 5.0 | | |
| GMS375-250(I) | 1450 | 288 | 43 | 75 | 75 | 55 | 5.0 | 250 | 578 |
| | | 360 | 40 | 80 | | | 5.5 | | |
| | | 432 | 35 | 78 | | | 5.2 | | |



性能参数 Performance parameters

(4P)

| 型号 Type | 转速 Speed (r/min) | 流量 Capacity (m ³ /h) | 扬程 Head(m) | 效率 Eff(%) | 电动机率 Motor power | | 必须气蚀余量 Npshr(m) | 口径 Dia.(mm) | 重量 Weight(kg) |
|----------------|------------------------|---------------------------------------|---------------|--------------|---------------------|------|--------------------|----------------|------------------|
| | | | | | (hp) | (kW) | | | |
| GMS375-250 | 1450 | 320 | 34.5 | 75 | 75 | 55 | 5.0 | 250 | 578 |
| | | 400 | 32 | 81 | | | 5.5 | | |
| | | 480 | 28.5 | 79 | | | 6.0 | | |
| GMS3100-250 | 1450 | 320 | 56 | 75 | 100 | 75 | 5.0 | 250 | 830 |
| | | 400 | 50 | 81 | | | 5.0 | | |
| | | 480 | 42 | 80 | | | 5.5 | | |
| GMS360-300 | 1450 | 500 | 19.5 | 75 | 60 | 45 | 5.1 | 300 | 623 |
| | | 600 | 17 | 80 | | | 6.0 | | |
| | | 700 | 15 | 78 | | | 6.9 | | |
| GMS375-300 | 1450 | 480 | 26 | 76 | 75 | 55 | 4.7 | 300 | 770 |
| | | 600 | 24 | 82 | | | 5.7 | | |
| | | 720 | 20 | 80 | | | 6.8 | | |
| GMS3100-300 | 1450 | 528 | 31 | 76 | 100 | 75 | 5.0 | 300 | 910 |
| | | 660 | 28 | 83 | | | 6.0 | | |
| | | 792 | 25.5 | 80 | | | 7.0 | | |
| GMS3125-300(I) | 1450 | 480 | 41 | 75 | 125 | 90 | 4.3 | 300 | 1015 |
| | | 600 | 38 | 82 | | | 5.3 | | |
| | | 720 | 32 | 78 | | | 6.3 | | |
| GMS3125-300 | 1450 | 576 | 34 | 78 | 125 | 90 | 5.2 | 300 | 1015 |
| | | 720 | 32 | 83 | | | 6.3 | | |
| | | 864 | 27 | 81 | | | 7.4 | | |

外形及安装尺寸 Installation dimensions

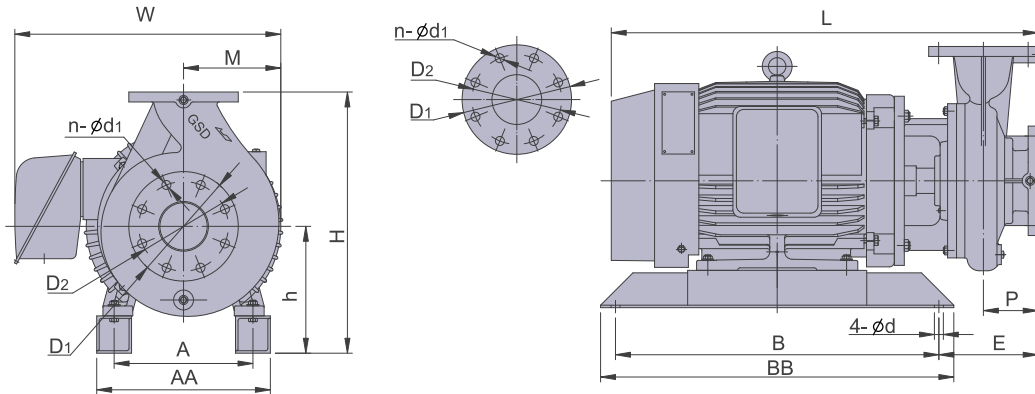


FIG.1

(2P)

| 型号Type | FIG. | A | AA | B | BB | d | E | H | h | L | M | P | W | D1 | D2 | n-ød1 |
|-------------|------|-----|-----|-----|-----|----|-------|-----|-----|--------|-------|-----|-------|-----|-----|-------|
| GMS30-25 | 1 | 112 | 159 | 250 | 290 | 14 | 130 | 221 | 101 | 341.5 | 86 | 60 | 216 | 115 | 85 | 4-Ø14 |
| GMS31-40 | 1 | 125 | 177 | 290 | 342 | 14 | 138.5 | 240 | 110 | 371 | 95.5 | 65 | 242 | 150 | 110 | 4-Ø18 |
| GMS32-40 | 1 | 140 | 192 | 290 | 342 | 14 | 141.5 | 250 | 120 | 408 | 103.5 | 65 | 268 | 150 | 110 | 4-Ø18 |
| GMS31-50 | 1 | 125 | 177 | 290 | 342 | 14 | 138.5 | 240 | 110 | 371 | 95.5 | 65 | 242 | 150 | 125 | 4-Ø18 |
| GMS32-50 | 1 | 140 | 192 | 290 | 342 | 14 | 177.5 | 260 | 120 | 429 | 104 | 80 | 268 | 165 | 125 | 4-Ø18 |
| GMS33-50 | 1 | 140 | 210 | 290 | 340 | 14 | 194.5 | 345 | 165 | 446 | 132 | 92 | 296 | 165 | 125 | 4-Ø18 |
| GMS35-50 | 1 | 190 | 252 | 390 | 436 | 18 | 173 | 325 | 145 | 502.5 | 132 | 92 | 312 | 165 | 125 | 4-Ø18 |
| GMS37-50 | 1 | 216 | 278 | 390 | 436 | 18 | 210 | 345 | 165 | 544 | 143 | 92 | 355 | 165 | 125 | 4-Ø18 |
| GMS310-50 | 1 | 216 | 266 | 390 | 450 | 14 | 220 | 387 | 187 | 574 | 157 | 100 | 381 | 185 | 125 | 4-Ø18 |
| GMS32-65 | 1 | 140 | 192 | 290 | 342 | 14 | 177.5 | 280 | 120 | 429 | 110 | 80 | 275 | 185 | 145 | 4-Ø18 |
| GMS33-65 | 1 | 140 | 192 | 290 | 342 | 14 | 177.5 | 325 | 145 | 429 | 110 | 80 | 275 | 185 | 145 | 4-Ø18 |
| GMS35-65 | 1 | 190 | 252 | 390 | 436 | 18 | 173 | 367 | 187 | 503 | 132 | 92 | 312 | 185 | 145 | 4-Ø18 |
| GMS37-65 | 1 | 216 | 278 | 390 | 436 | 18 | 210 | 345 | 165 | 544 | 143 | 92 | 356 | 185 | 145 | 4-Ø18 |
| GMS310-65 | 1 | 216 | 278 | 390 | 436 | 18 | 205 | 345 | 165 | 559 | 142 | 92 | 353 | 185 | 145 | 4-Ø18 |
| GMS315-65 | 1 | 254 | 324 | 500 | 560 | 18 | 268 | 460 | 235 | 696 | 161 | 100 | 436 | 185 | 145 | 4-Ø18 |
| GMS320-65 | 1 | 254 | 324 | 500 | 560 | 18 | 268 | 460 | 235 | 696 | 161 | 100 | 436 | 185 | 145 | 4-Ø18 |
| GMS33-80 | 1 | 140 | 192 | 290 | 342 | 14 | 205 | 280 | 120 | 455 | 127 | 100 | 291 | 200 | 160 | 8-Ø18 |
| GMS35-80 | 1 | 190 | 252 | 390 | 436 | 18 | 210 | 305 | 145 | 511.5 | 128 | 100 | 308 | 200 | 160 | 8-Ø18 |
| GMS37-80 | 1 | 216 | 278 | 390 | 436 | 18 | 205 | 385 | 165 | 559 | 148 | 100 | 361 | 200 | 160 | 8-Ø18 |
| GMS310-80 | 1 | 216 | 278 | 390 | 436 | 18 | 268 | 385 | 165 | 574 | 148 | 100 | 359 | 200 | 160 | 8-Ø18 |
| GMS315-80 | 1 | 254 | 324 | 500 | 560 | 18 | 268 | 455 | 235 | 696 | 173 | 100 | 448 | 200 | 160 | 8-Ø18 |
| GMS320-80 | 1 | 254 | 324 | 500 | 560 | 18 | 268 | 495 | 235 | 696 | 173 | 100 | 448 | 200 | 160 | 8-Ø18 |
| GMS325-80 | 1 | 254 | 324 | 500 | 560 | 18 | 267 | 495 | 235 | 800 | 173 | 100 | 448 | 200 | 160 | 8-Ø18 |
| GMS330-80 | 1 | 279 | 349 | 580 | 640 | 18 | 220 | 525 | 255 | 816.5 | 199 | 100 | 539 | 200 | 160 | 8-Ø18 |
| GMS340-80 | 1 | 279 | 349 | 650 | 710 | 18 | 220 | 545 | 255 | 861 | 204 | 110 | 544 | 220 | 160 | 8-M16 |
| GMS350-80 | 1 | 318 | 388 | 650 | 710 | 18 | 247 | 575 | 275 | 926 | 214 | 110 | 579.5 | 220 | 160 | 8-Ø18 |
| GMS35-100 | 1 | 190 | 260 | 290 | 340 | 14 | 245 | 367 | 187 | 520.5 | 148 | 100 | 328 | 220 | 180 | 8-Ø18 |
| GMS37-100 | 1 | 216 | 278 | 390 | 436 | 18 | 208 | 345 | 165 | 562 | 148 | 100 | 361 | 220 | 180 | 8-Ø18 |
| GMS310-100 | 1 | 216 | 278 | 390 | 436 | 18 | 230 | 345 | 165 | 577 | 148 | 100 | 359 | 220 | 180 | 8-Ø18 |
| GMS315-100 | 1 | 254 | 324 | 500 | 560 | 18 | 269 | 460 | 235 | 699 | 161 | 100 | 436 | 220 | 180 | 8-Ø18 |
| GMS320-100 | 1 | 254 | 324 | 500 | 560 | 18 | 269 | 460 | 235 | 699 | 161 | 100 | 436 | 220 | 180 | 8-Ø18 |
| GMS325-100 | 1 | 254 | 324 | 500 | 560 | 18 | 269 | 505 | 235 | 822 | 192 | 110 | 467 | 220 | 180 | 8-Ø18 |
| GMS330-100 | 1 | 279 | 349 | 580 | 640 | 18 | 240 | 525 | 255 | 832.5 | 199 | 110 | 539 | 220 | 180 | 8-Ø18 |
| GMS340-100 | 1 | 279 | 349 | 650 | 710 | 18 | 220 | 525 | 255 | 858 | 196 | 110 | 536 | 220 | 180 | 8-Ø18 |
| GMS350-100 | 1 | 318 | 388 | 650 | 710 | 18 | 247 | 565 | 275 | 926 | 204 | 110 | 568 | 220 | 180 | 8-Ø18 |
| GMS360-100 | 1 | 318 | 388 | 650 | 710 | 18 | 247 | 565 | 275 | 926 | 205 | 110 | 569 | 220 | 180 | 8-Ø18 |
| GMS375-100 | 1 | 356 | 456 | 750 | 810 | 24 | 200 | 632 | 332 | 935 | 245 | 110 | 640 | 220 | 180 | 8-Ø18 |
| GMS340-150 | 1 | 279 | 349 | 650 | 710 | 18 | 248 | 535 | 255 | 886 | 206 | 140 | 546 | 285 | 240 | 8-Ø22 |
| GMS350-150 | 1 | 318 | 388 | 650 | 710 | 18 | 280 | 555 | 275 | 951 | 206 | 140 | 571 | 285 | 240 | 8-Ø22 |
| GMS360-150 | 1 | 318 | 388 | 650 | 710 | 18 | 280 | 555 | 275 | 951 | 206 | 140 | 571 | 285 | 240 | 8-Ø22 |
| GMS375-150 | 1 | 356 | 456 | 750 | 810 | 24 | 230 | 632 | 332 | 966 | 245 | 140 | 640 | 285 | 240 | 8-Ø22 |
| GMS3100-150 | 1 | 406 | 506 | 750 | 810 | 24 | 280 | 657 | 357 | 1059.5 | 255 | 140 | 785 | 285 | 240 | 8-Ø22 |



外形及安装尺寸 Installation dimensions

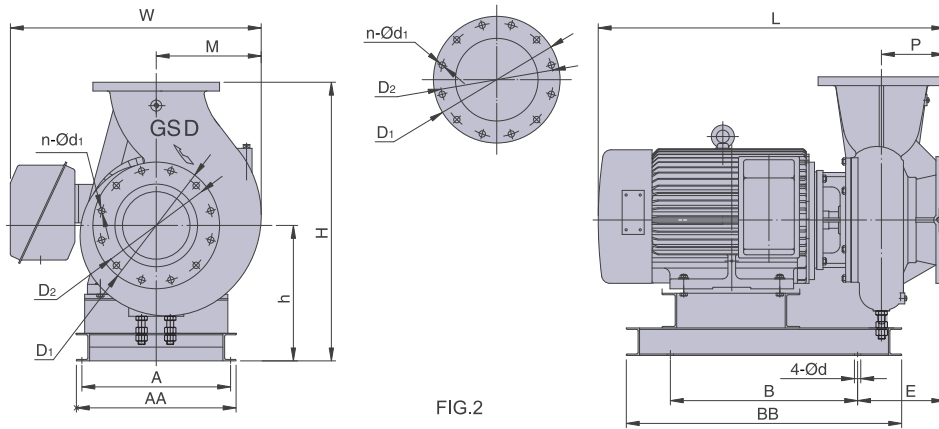


FIG.2

(4P)

| 型号Type | FIG. | A | AA | B | BB | d | E | H | h | L | M | P | W | D1 | D2 | n-Ød1 |
|---------------|------|-----|-----|-----|-----|----|-----|-----|-----|--------|-----|-----|-----|-----|-----|--------|
| GMS32-50 | 1 | 140 | 203 | 290 | 340 | 14 | 195 | 397 | 197 | 473.5 | 157 | 100 | 314 | 185 | 125 | 4-Ø18 |
| GMS33-50 | 1 | 160 | 230 | 290 | 340 | 14 | 225 | 375 | 175 | 509.5 | 157 | 100 | 336 | 185 | 125 | 4-Ø18 |
| GMS32-65 | 1 | 140 | 210 | 290 | 340 | 14 | 180 | 345 | 165 | 443 | 132 | 92 | 302 | 185 | 145 | 4-Ø18 |
| GMS33-65 | 1 | 160 | 230 | 290 | 340 | 14 | 220 | 400 | 175 | 503 | 161 | 100 | 325 | 185 | 145 | 4-Ø18 |
| GMS35-65(I) | 1 | 190 | 253 | 290 | 340 | 14 | 230 | 469 | 219 | 515 | 180 | 100 | 366 | 200 | 145 | 4-Ø18 |
| GMS35-65 | 1 | 190 | 253 | 290 | 340 | 14 | 230 | 469 | 219 | 515 | 180 | 100 | 366 | 200 | 145 | 4-Ø18 |
| GMS37-65 | 1 | 216 | 286 | 390 | 440 | 14 | 220 | 467 | 207 | 580 | 194 | 100 | 411 | 200 | 145 | 4-Ø18 |
| GMS33-80 | 1 | 160 | 230 | 290 | 340 | 14 | 225 | 435 | 175 | 503 | 173 | 100 | 337 | 200 | 160 | 8-Ø18 |
| GMS35-80 | 1 | 190 | 260 | 390 | 440 | 14 | 190 | 447 | 187 | 513 | 173 | 100 | 359 | 200 | 160 | 8-Ø18 |
| GMS37-80 | 1 | 216 | 286 | 390 | 440 | 14 | 225 | 477 | 207 | 580 | 192 | 100 | 409 | 200 | 160 | 8-Ø18 |
| GMS310-80 | 1 | 216 | 286 | 390 | 450 | 14 | 240 | 497 | 207 | 618 | 201 | 100 | 418 | 200 | 160 | 8-Ø18 |
| GMS315-80 | 1 | 254 | 324 | 500 | 560 | 18 | 220 | 525 | 235 | 702 | 201 | 100 | 476 | 200 | 160 | 8-Ø18 |
| GMS35-100 | 1 | 190 | 260 | 390 | 440 | 14 | 210 | 457 | 187 | 535 | 192 | 110 | 378 | 220 | 180 | 8-Ø18 |
| GMS37-100 | 1 | 216 | 286 | 390 | 440 | 14 | 230 | 477 | 207 | 596 | 192 | 110 | 409 | 220 | 180 | 8-Ø18 |
| GMS310-100 | 1 | 216 | 286 | 390 | 440 | 14 | 215 | 477 | 207 | 634 | 192 | 110 | 409 | 220 | 180 | 8-Ø18 |
| GMS315-100 | 1 | 254 | 324 | 500 | 560 | 18 | 290 | 535 | 235 | 721 | 214 | 110 | 490 | 220 | 180 | 8-Ø18 |
| GMS320-100 | 1 | 254 | 324 | 500 | 560 | 18 | 310 | 535 | 235 | 765 | 214 | 110 | 490 | 220 | 180 | 8-Ø18 |
| GMS325-100 | 1 | 279 | 359 | 580 | 640 | 18 | 320 | 652 | 312 | 831 | 256 | 110 | 560 | 220 | 180 | 8-Ø18 |
| GMS330-100 | 1 | 279 | 359 | 580 | 640 | 18 | 320 | 652 | 312 | 831 | 256 | 110 | 560 | 220 | 180 | 8-Ø18 |
| GMS35-150 | 1 | 190 | 253 | 390 | 450 | 14 | 230 | 499 | 219 | 563 | 206 | 140 | 392 | 285 | 240 | 8-Ø22 |
| GMS37-150 | 1 | 216 | 286 | 390 | 450 | 14 | 260 | 487 | 207 | 624 | 206 | 140 | 423 | 285 | 240 | 8-Ø22 |
| GMS310-150 | 1 | 216 | 286 | 390 | 450 | 14 | 400 | 487 | 207 | 662 | 206 | 140 | 423 | 285 | 240 | 8-Ø22 |
| GMS315-150 | 1 | 254 | 324 | 500 | 560 | 18 | 315 | 515 | 235 | 746 | 206 | 140 | 481 | 285 | 240 | 8-Ø22 |
| GMS320-150 | 1 | 254 | 324 | 500 | 560 | 18 | 344 | 535 | 235 | 796 | 227 | 140 | 503 | 285 | 240 | 8-Ø22 |
| GMS325-150 | 1 | 279 | 349 | 580 | 640 | 18 | 343 | 605 | 255 | 858 | 249 | 125 | 589 | 285 | 240 | 8-Ø22 |
| GMS330-150(I) | 1 | 279 | 359 | 580 | 640 | 18 | 360 | 667 | 287 | 874 | 268 | 140 | 608 | 285 | 240 | 8-Ø22 |
| GMS330-150 | 1 | 279 | 349 | 580 | 640 | 18 | 343 | 605 | 255 | 858 | 249 | 125 | 590 | 285 | 240 | 8-Ø22 |
| GMS340-150 | 1 | 279 | 359 | 650 | 710 | 18 | 340 | 667 | 287 | 899 | 268 | 140 | 608 | 285 | 240 | 8-Ø22 |
| GMS315-200 | 1 | 254 | 324 | 500 | 560 | 18 | 354 | 535 | 235 | 784 | 241 | 160 | 516 | 340 | 295 | 8-Ø22 |
| GMS320-200 | 1 | 254 | 324 | 500 | 560 | 18 | 376 | 535 | 235 | 828 | 241 | 160 | 516 | 340 | 295 | 8-Ø22 |
| GMS325-200 | 1 | 279 | 359 | 580 | 640 | 18 | 384 | 607 | 287 | 898.5 | 255 | 160 | 595 | 340 | 295 | 8-Ø22 |
| GMS330-200 | 1 | 279 | 359 | 580 | 640 | 18 | 384 | 647 | 287 | 898.5 | 268 | 160 | 608 | 340 | 295 | 8-Ø22 |
| GMS340-200(I) | 1 | 279 | 359 | 650 | 710 | 18 | 366 | 678 | 287 | 924 | 286 | 160 | 626 | 340 | 295 | 8-Ø22 |
| GMS340-200 | 1 | 279 | 359 | 650 | 710 | 18 | 366 | 647 | 287 | 924 | 268 | 160 | 608 | 340 | 295 | 8-Ø22 |
| GMS350-200(I) | 1 | 318 | 398 | 650 | 710 | 18 | 390 | 697 | 307 | 989 | 287 | 160 | 652 | 340 | 295 | 8-Ø22 |
| GMS350-200 | 1 | 318 | 398 | 650 | 710 | 18 | 390 | 697 | 307 | 989 | 287 | 160 | 652 | 340 | 295 | 8-Ø22 |
| GMS3100-200 | 1 | 460 | 500 | 600 | 790 | 24 | 305 | 926 | 486 | 1153.5 | 321 | 200 | 852 | 340 | 295 | 8-Ø22 |
| GMS320-250 | 1 | 254 | 334 | 580 | 640 | 18 | 390 | 647 | 267 | 883 | 303 | 205 | 580 | 395 | 350 | 12-Ø22 |
| GMS325-250 | 1 | 279 | 359 | 580 | 640 | 18 | 440 | 667 | 287 | 953.5 | 304 | 205 | 644 | 395 | 350 | 12-Ø22 |
| GMS330-250 | 1 | 279 | 359 | 580 | 640 | 18 | 440 | 667 | 287 | 953.5 | 304 | 205 | 644 | 395 | 350 | 12-Ø22 |
| GMS340-250 | 1 | 279 | 359 | 650 | 710 | 18 | 426 | 762 | 312 | 984 | 331 | 200 | 671 | 395 | 350 | 12-Ø22 |
| GMS350-250 | 1 | 318 | 398 | 650 | 710 | 18 | 450 | 757 | 307 | 1049 | 331 | 200 | 696 | 395 | 350 | 12-Ø22 |
| GMS360-250(I) | 2 | 360 | 400 | 550 | 735 | 18 | 312 | 865 | 415 | 1049 | 318 | 200 | 683 | 395 | 350 | 12-Ø22 |
| GMS360-250 | 2 | 360 | 400 | 550 | 735 | 18 | 312 | 865 | 415 | 1049 | 318 | 200 | 683 | 395 | 350 | 12-Ø22 |
| GMS375-250(I) | 2 | 410 | 450 | 550 | 730 | 18 | 303 | 865 | 415 | 1058 | 319 | 200 | 714 | 395 | 350 | 12-Ø22 |
| GMS375-250 | 2 | 410 | 450 | 550 | 730 | 18 | 303 | 865 | 415 | 1058 | 319 | 200 | 714 | 395 | 350 | 12-Ø22 |
| GMS3100-250 | 2 | 460 | 500 | 600 | 790 | 24 | 305 | 986 | 486 | 1154 | 360 | 200 | 890 | 395 | 350 | 12-Ø22 |
| GMS360-300 | 1 | 410 | 450 | 550 | 750 | 18 | 357 | 970 | 450 | 1099 | 378 | 230 | 743 | 445 | 400 | 12-Ø23 |

外形及安装尺寸 Installation dimensions

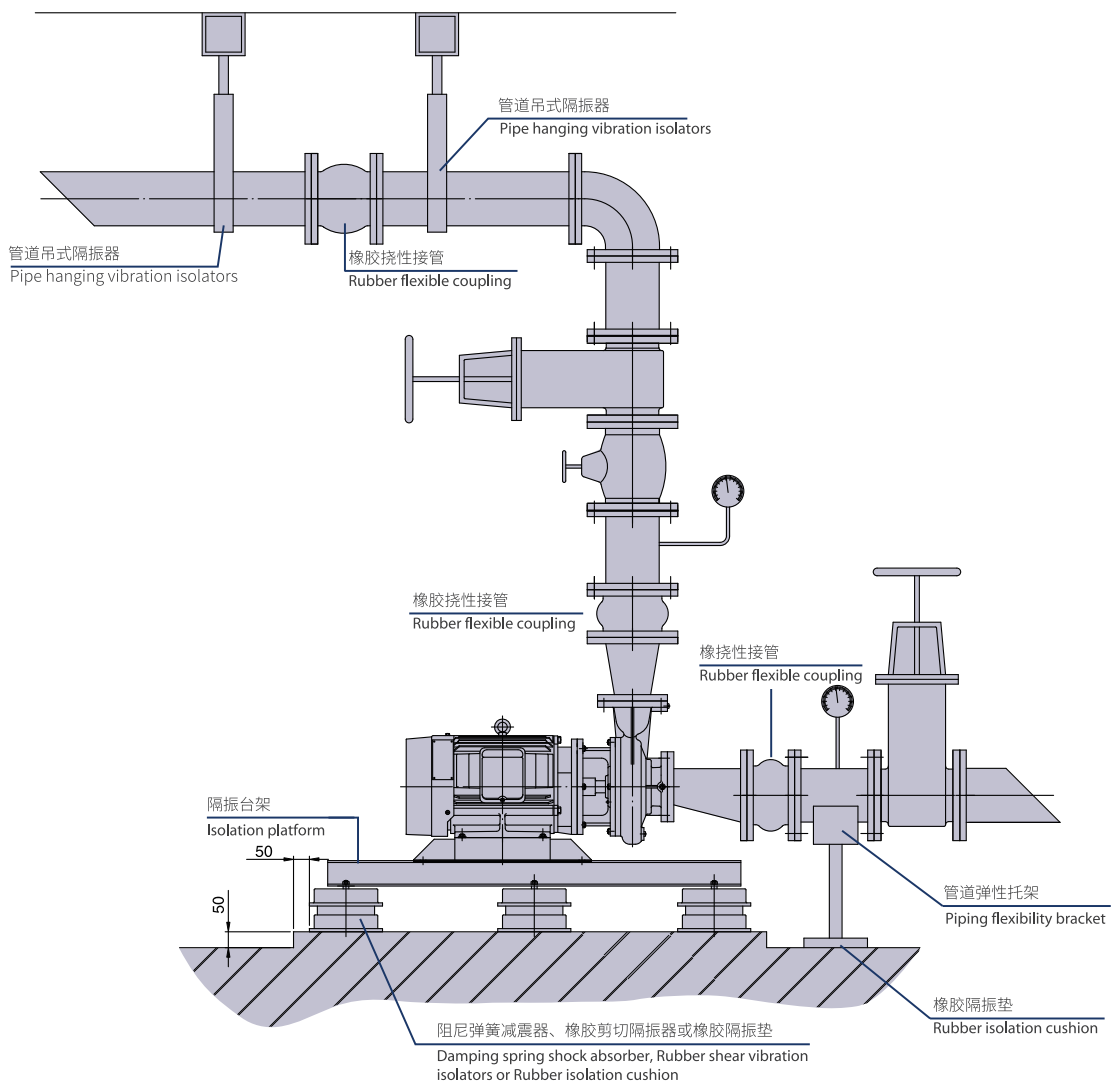
(4P)

| 型号Type | FIG. | A | AA | B | BB | d | E | H | h | L | M | P | W | D1 | D2 | n-φd1 |
|----------------|------|-----|-----|-----|-----|----|-------|------|-----|------|-----|-----|-----|-----|-----|--------|
| GMS375-300 | 2 | 410 | 450 | 550 | 735 | 19 | 258 | 975 | 455 | 1108 | 381 | 230 | 776 | 445 | 400 | 12-φ22 |
| GMS3100-300 | 2 | 460 | 500 | 600 | 810 | 24 | 252.5 | 1006 | 486 | 1202 | 381 | 230 | 911 | 445 | 400 | 12-φ22 |
| GMS3125-300(I) | 2 | 540 | 580 | 680 | 875 | 24 | 285.5 | 1096 | 516 | 1241 | 383 | 230 | 913 | 445 | 400 | 12-φ22 |
| GMS3125-300 | 2 | 540 | 580 | 680 | 890 | 24 | 303.5 | 1012 | 492 | 1259 | 381 | 230 | 911 | 445 | 400 | 12-φ22 |

注：以上为铸铁材质外形尺寸，不锈钢结构请咨询本公司销售人员。

Note: The above size is of cast iron material pump, if you want the size of steel material pump, please contact our salesman.

安装示意图 Installation sketch map



本型录内容如有变更，恕不另行通知。
We reserve the right to change content without notice.

CY-3B

